

Climbing Wall Types:

# MOBILE WALLS

- Take climbing on the road
- Set up in minutes
- Promote climbing and your company across the UK



#### Standard Equipment:

6m mobile climbing tower & trailer  
State of the art replica rock surface - ROCKTOPIA  
4 x Hydraulic Walltopia Autobelay system (WAB)  
Assorted HRT Safety Holds supplied  
Special Monolith power semi-traction 12 V battery

#### Optional Equipment:

Battery charger	Hydraulic by-pass system
Second battery	Speed climbing buzzers
Banner kit and banners	Climbing equipment
Custom colour	Training available



**Technical Specifications of WALLTOPIA Mobile Climbing Wall model MW-4C6**

**Size on the road:**

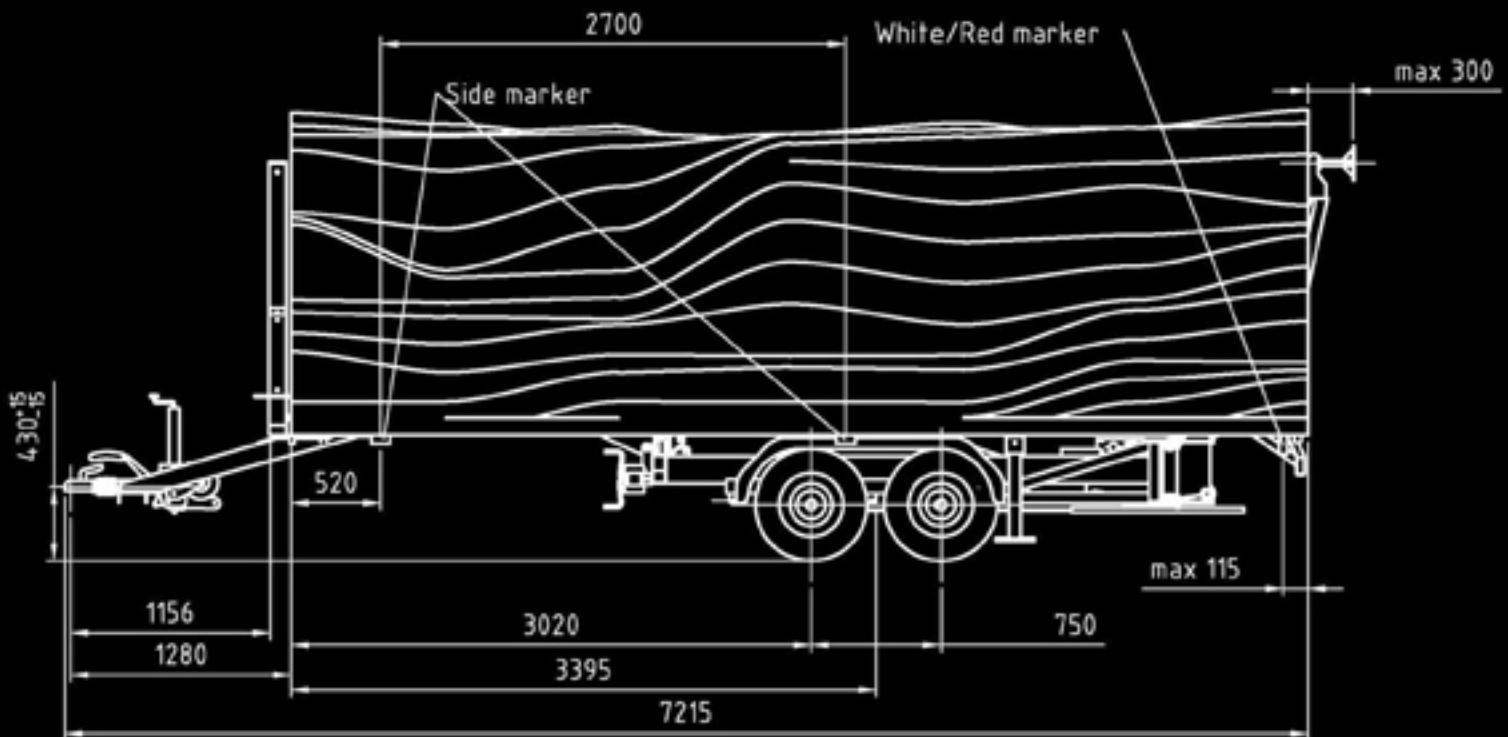
L= 7515 mm  
W= 2200 mm  
H= 2600 mm

**Size when in use:**

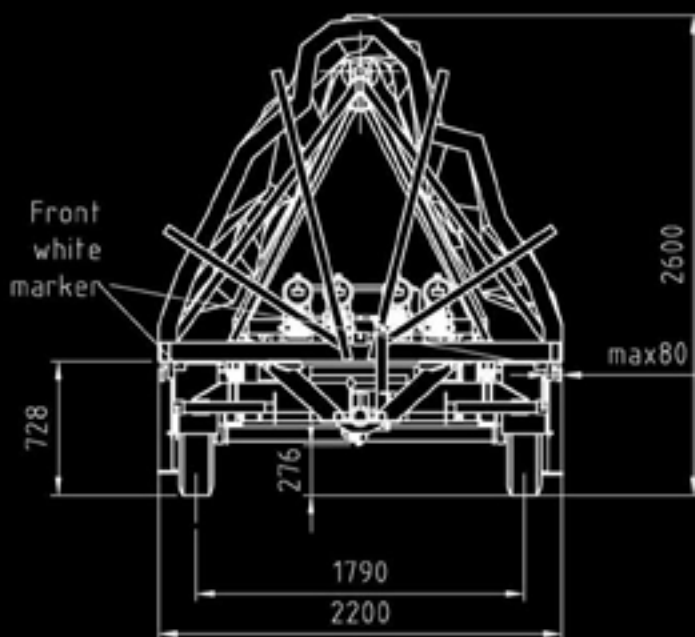
L= 5000 mm  
W=4000 mm  
H= 7450 mm  
*Climbing height: 6050 mm*

**80** Max. towing speed: **80 km/h (50 mph)**

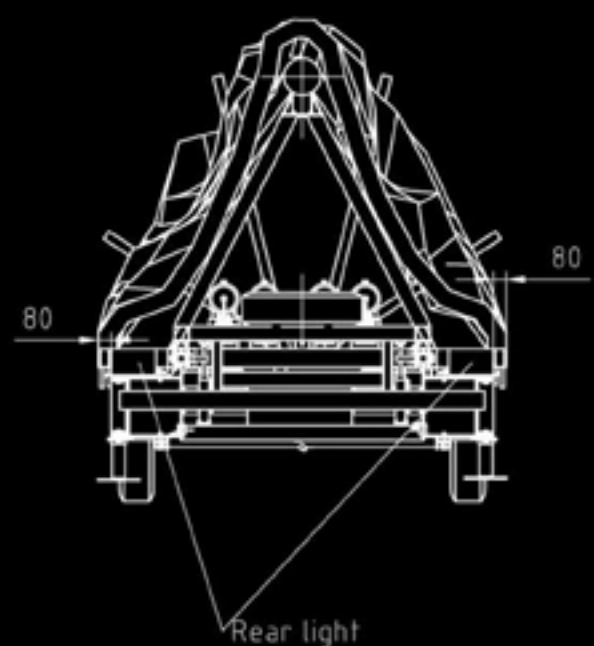
**80**



**Side view**



**Front view**



**Rear view**